

100

Figure 1

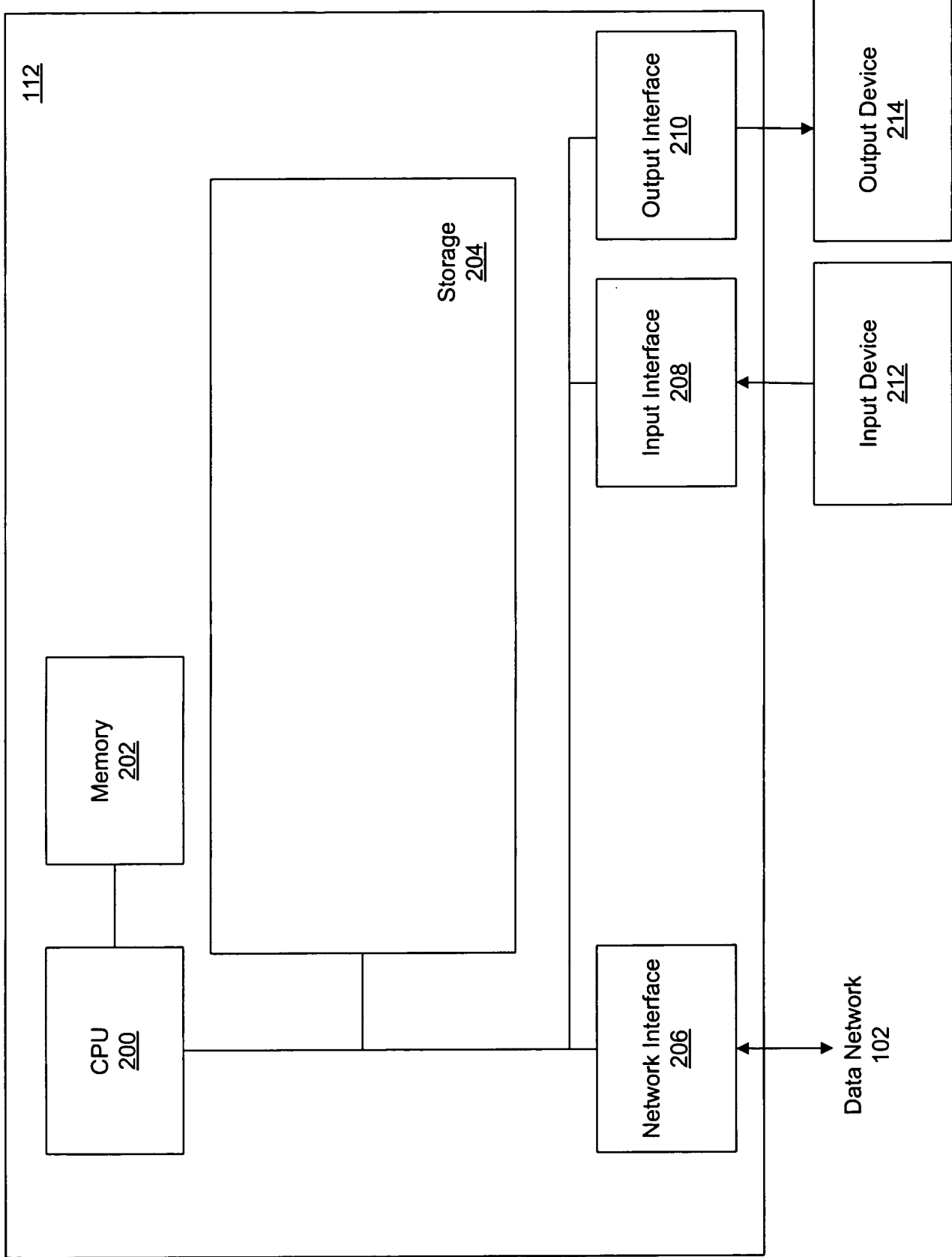


Figure 2

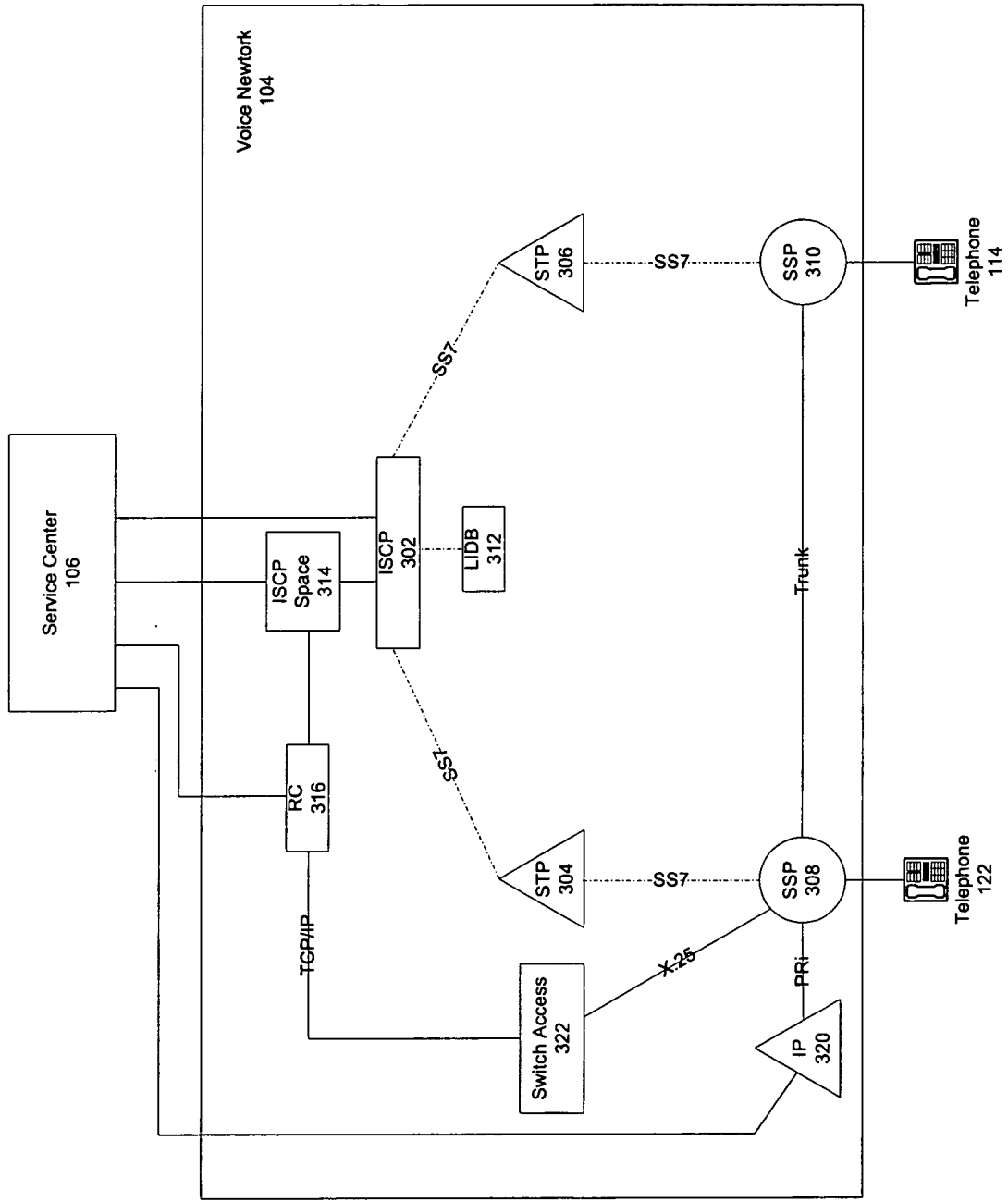


Figure 3

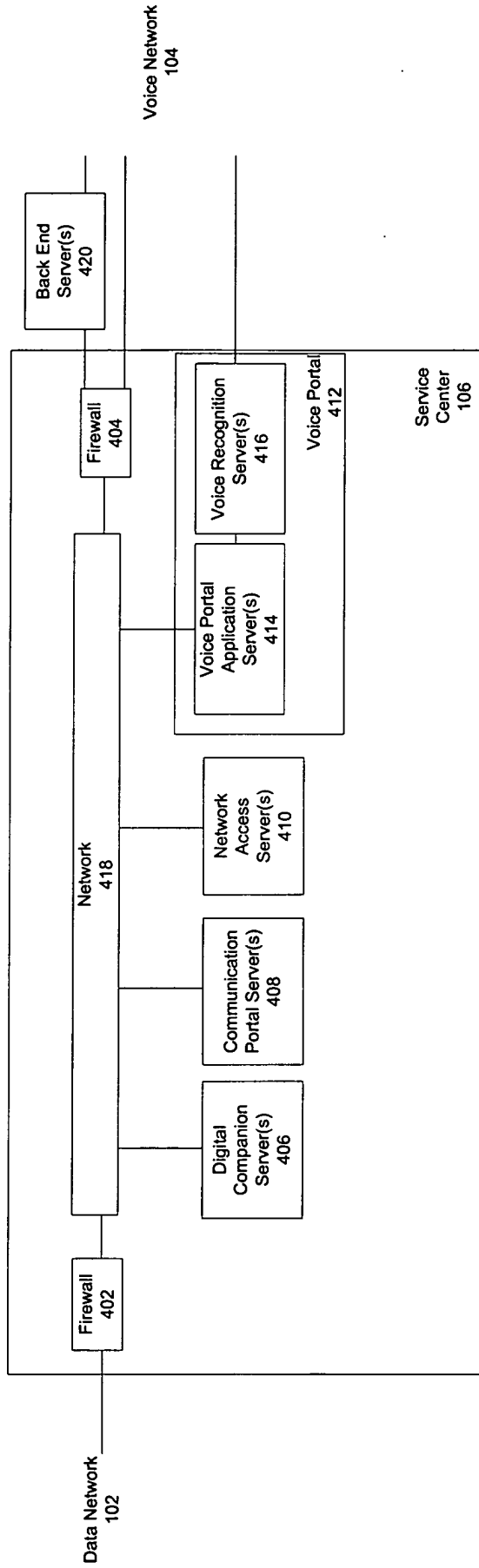


Figure 4

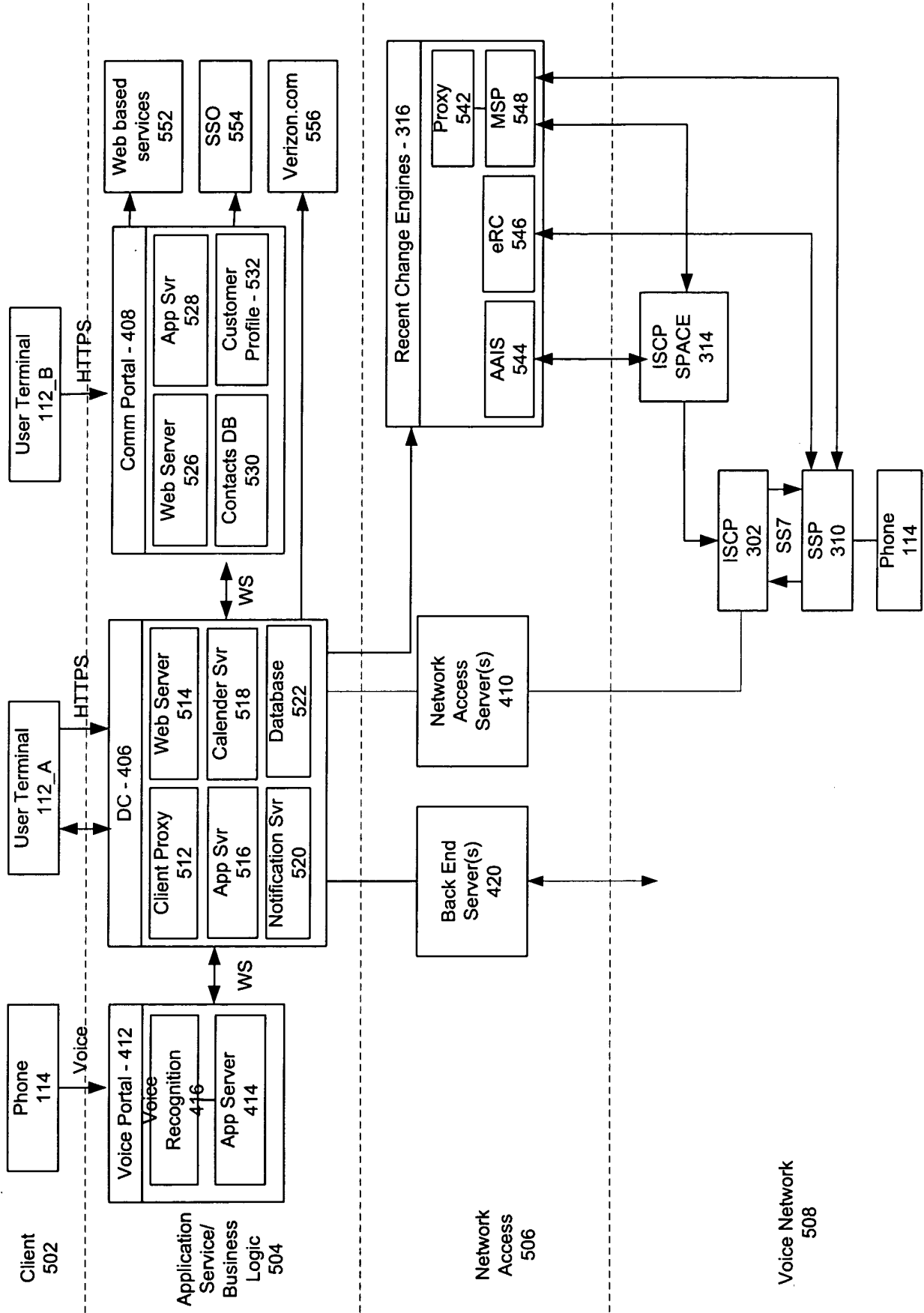


Figure 5

600

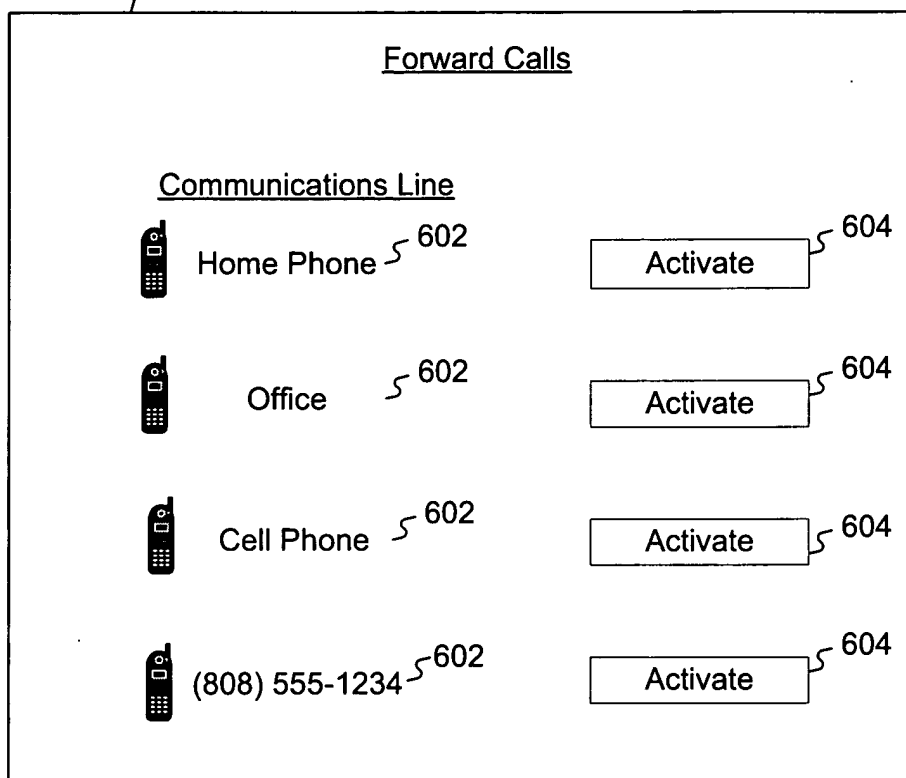


Figure 6

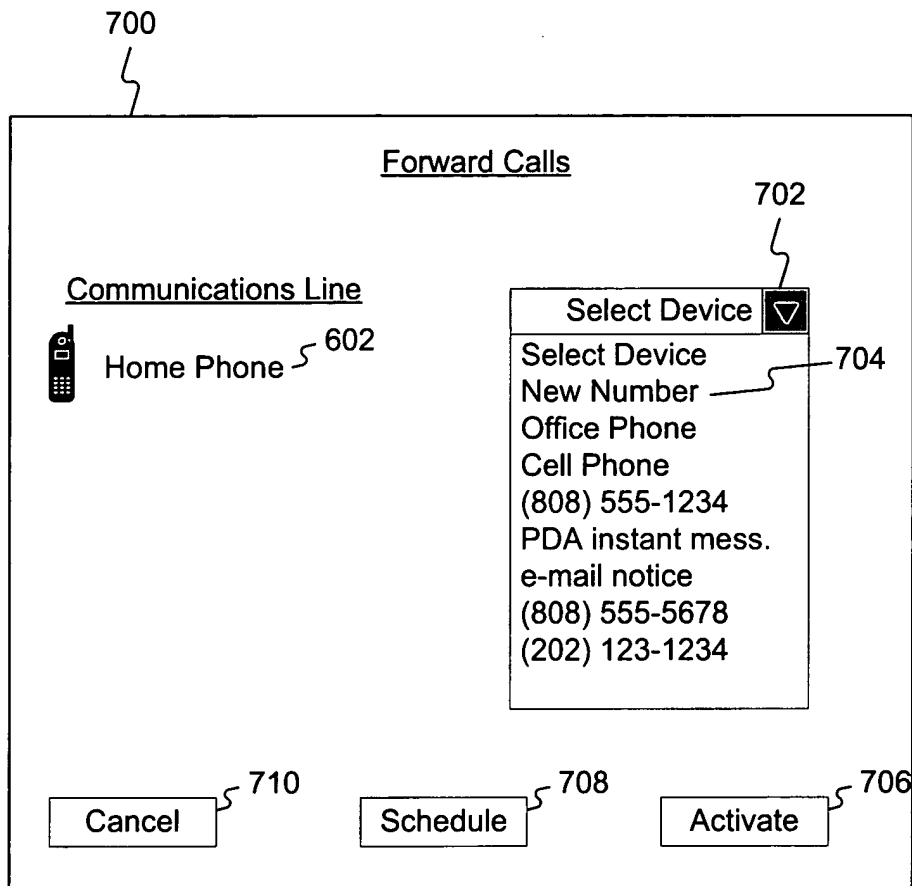



Figure 7

800



Schedule Call Forwarding for  Home Phone 602

Select From Save List

Choose a New Number

Nickname

Cancel 812

Next 810

Select Device 804

Select Device
Office Phone
Cell Phone
(808) 555-1234
PDA instant mess.
e-mail notice
(808) 555-5678
(202) 123-1234


806


808

Figure 8


900



Schedule Call Forwarding for  Home Phone ⁶⁰²

Start Date ⁹⁰²  ⁹¹⁴

⁹⁰⁴ ⁹⁰⁶

End Date ⁹⁰⁸  ⁹¹⁶


⁹¹⁰ ⁹¹²


Repeat Setting? YES NO ⁹¹⁸

⁹²² ⁹²⁰ ⁹²⁴


Figure 9

990

Schedule Call Forwarding for  Home Phone 602

Start Date 902  914

904 906

End Date 908  916

910 912

Repeat Setting? YES NO 918

1002 Daily

1004 Weekly


1006 Monthly

1008 Yearly

Daily Options

1012 Every Day (Mon - Sun)

1014 Only Weekdays (Mon-Fri)


End Date 1010  1016


922 Back 920 Cancel 924 Save

Figure 10


991

⚡

Schedule Call Forwarding for  Home Phone 602

Start Date 902  914

904 ▼ ▼ 906

End Date 908  916

910 ▼ ▼ 912

Repeat Setting? YES NO 918

1002 Daily

1004 Weekly


1006 Monthly

1008 Yearly

Weekly Options

Every 1102 week(s) on 1104


Mon	Tue	Wed	Thu	Fri	Sat	Sun
<input checked="" type="radio"/>	<input type="radio"/>	<input type="radio"/>	<input type="radio"/>	<input type="radio"/>	<input type="radio"/>	<input type="radio"/>


End Date 1010  1016

922 920 924


Figure 11

992

Schedule Call Forwarding for  Home Phone 602

Start Date  902 914

904 906

End Date  908 916

910 912

Repeat Setting? YES NO 918

Daily 1002

Weekly 1004

Monthly 1006

Yearly 1008


Monthly Options

Day of every

1202

month

1204


End Date  1010 1016


922 920 924

Figure 12


993

⚡

Schedule Call Forwarding for  Home Phone ⁶⁰²

Start Date ⁹⁰²  ⁹¹⁴

⁹⁰⁴ ⁹⁰⁶

End Date ⁹⁰⁸  ⁹¹⁶

⁹¹⁰ ⁹¹²

Repeat Setting? YES NO ⁹¹⁸

¹⁰⁰² Daily


¹⁰⁰⁴ Weekly

¹⁰⁰⁶ Monthly

¹⁰⁰⁸ Yearly

Yearly Options

Every ¹³⁰² ¹³⁰⁴

End Date ¹⁰¹⁰  ¹⁰¹⁶

⁹²² ⁹²⁰ ⁹²⁴

Figure 13

1400

Address Book

Last Name	First Name	MI
Company		
Street		
City	State	Zip
Work Phone	Forward	
Cell Phone	Forward	
Home Phone	Forward	
Other Phones	Forward	

1402

1402

1402

1402

1404

1404

1404

1404

Figure 14

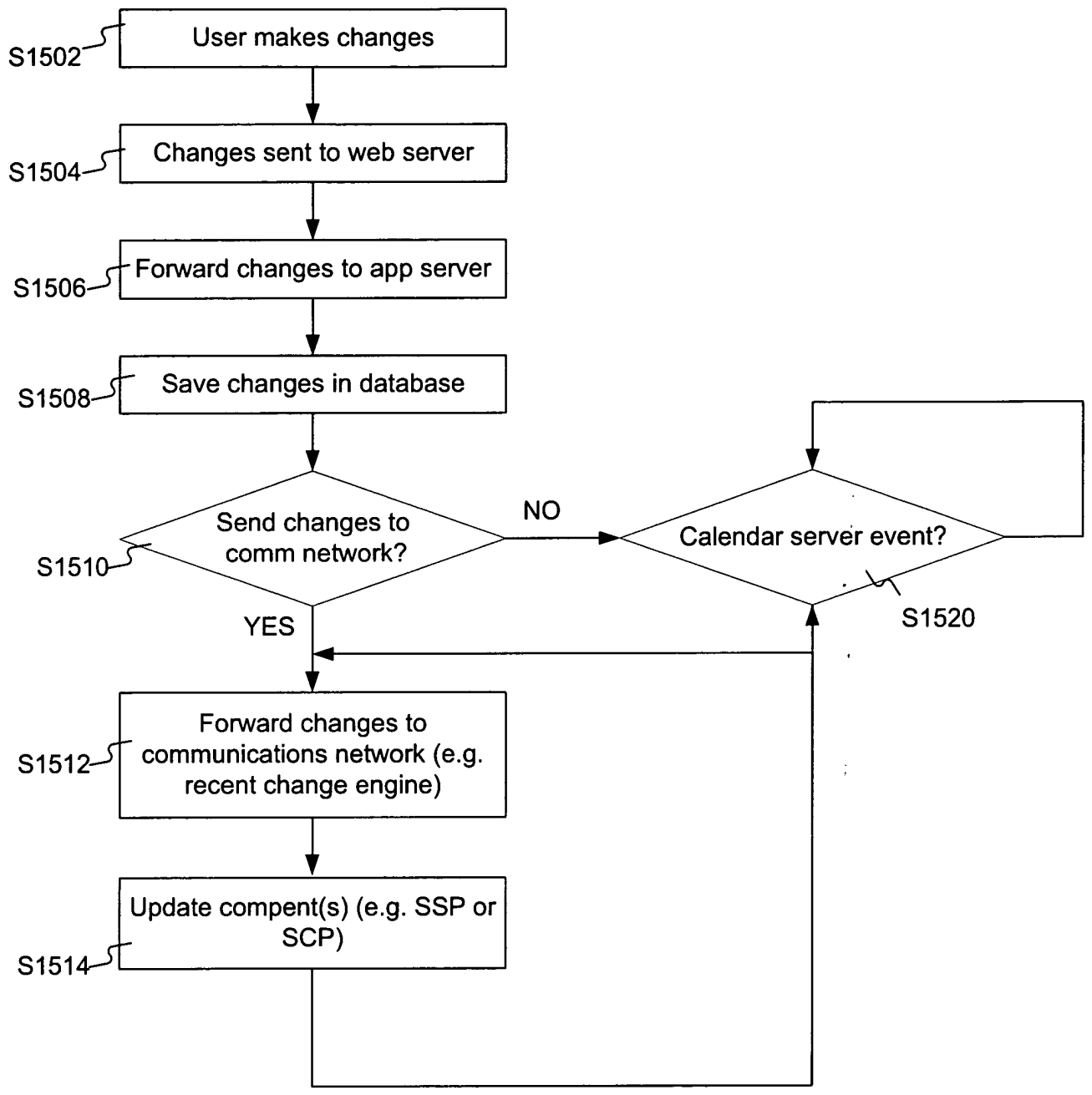


Figure 15

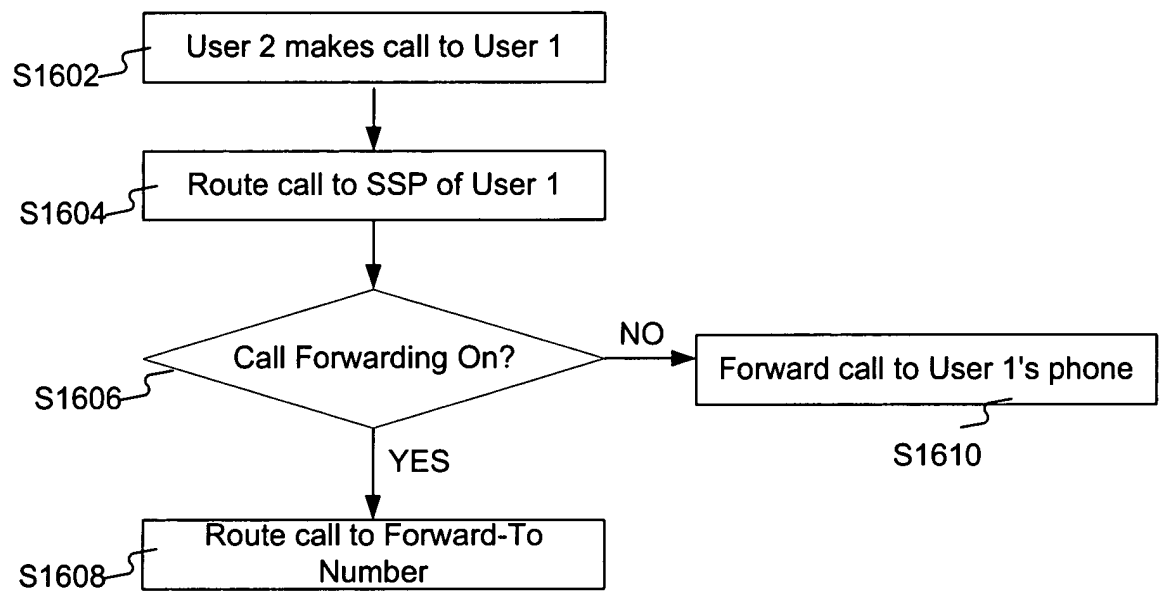


Figure 16

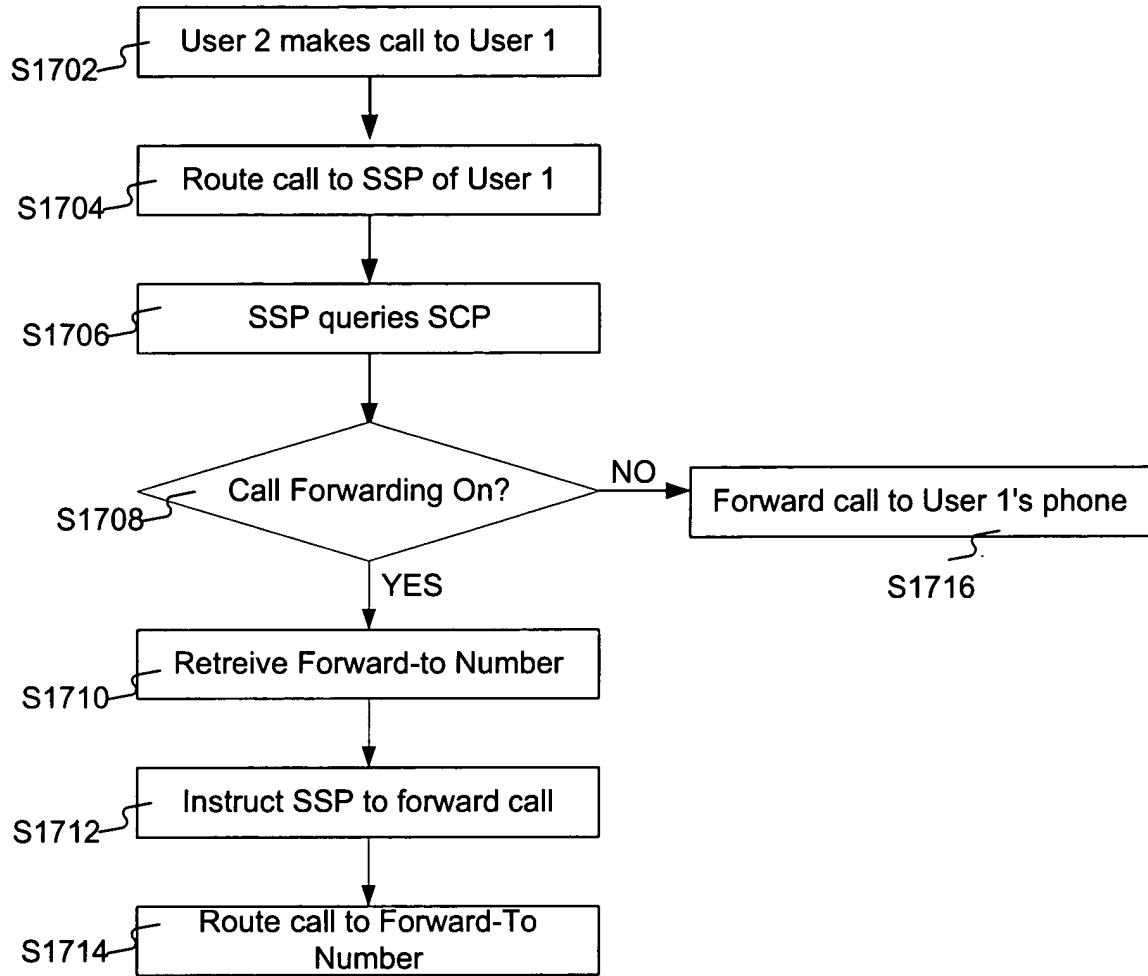


Figure 17

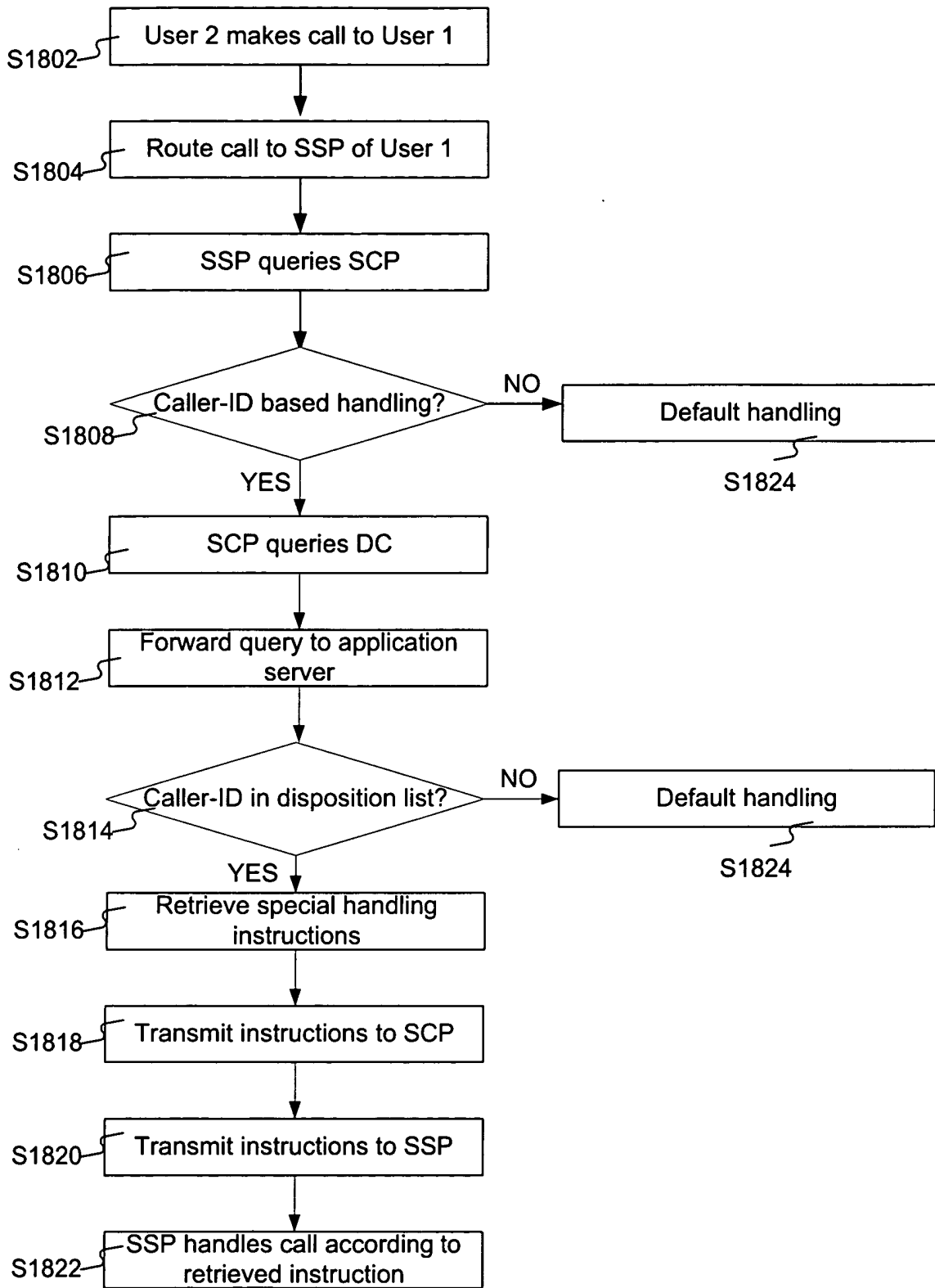


Figure 18